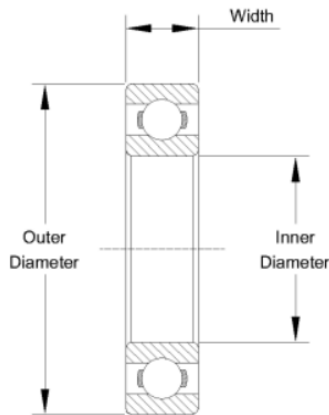




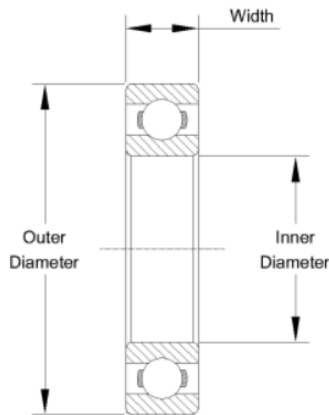
600 Series Stainless Steel Miniature Bearings



Part Number	Bore diameter	Outside diameter	Width	Seal type	Ring material	Ball material	Limiting speed
S68/0.6	0.6 mm	2.5 mm	1 mm	Open	Stainless Steel	Stainless Steel	128 X 1000 rpm
S681	1 mm	3 mm	1 mm	Open	Stainless Steel	Stainless Steel	117 X 1000 rpm
S691	1 mm	4 mm	1.6 mm	Open	Stainless Steel	Stainless Steel	90 X 1000 rpm
S681x	1.5 mm	4 mm	1.2 mm	Open	Stainless Steel	Stainless Steel	90 X 1000 rpm
S681xzz	1.5 mm	4 mm	2 mm	Shielded	Stainless Steel	Stainless Steel	90 X 1000 rpm
S691x	1.5 mm	5 mm	2 mm	Open	Stainless Steel	Stainless Steel	76.5 X 1000 rpm
S691xzz	1.5 mm	5 mm	2.6 mm	Shielded	Stainless Steel	Stainless Steel	76.5 X 1000 rpm
S601x	1.5 mm	6 mm	2.5 mm	Open	Stainless Steel	Stainless Steel	67.5 X 1000 rpm
S601xzz	1.5 mm	6 mm	3 mm	Shielded	Stainless Steel	Stainless Steel	67.5 X 1000 rpm
S672	2 mm	4 mm	1.2 mm	Open	Stainless Steel	Stainless Steel	98 X 1000 rpm
S672zz	2 mm	4 mm	2 mm	Shielded	Stainless Steel	Stainless Steel	98 X 1000 rpm
S682	2 mm	5 mm	1.5 mm	Open	Stainless Steel	Stainless Steel	76.5 X 1000 rpm
S682 2rs	2 mm	5 mm	2.3 mm	Sealed	Stainless Steel	Stainless Steel	76.5 X 1000 rpm
S682zz	2 mm	5 mm	2.3 mm	Shielded	Stainless Steel	Stainless Steel	76.5 X 1000 rpm
S692	2 mm	6 mm	2.3 mm	Open	Stainless Steel	Stainless Steel	67.5 X 1000 rpm
S692 2rs	2 mm	6 mm	3 mm	Sealed	Stainless Steel	Stainless Steel	67.5 X 1000 rpm
S692zz	2 mm	6 mm	3 mm	Shielded	Stainless Steel	Stainless Steel	67.5 X 1000 rpm
S602	2 mm	7 mm	2.8 mm	Open	Stainless Steel	Stainless Steel	54 X 1000 rpm
S602 2rs	2 mm	7 mm	3.5 mm	Sealed	Stainless Steel	Stainless Steel	54 X 1000 rpm
S602zz	2 mm	7 mm	3.5 mm	Shielded	Stainless Steel	Stainless Steel	54 X 1000 rpm
S682x	2.5 mm	6 mm	1.8 mm	Open	Stainless Steel	Stainless Steel	63.9 X 1000 rpm
S682x 2rs	2.5 mm	6 mm	2.6 mm	Sealed	Stainless Steel	Stainless Steel	63.9 X 1000 rpm
S682xzz	2.5 mm	6 mm	2.6 mm	Shielded	Stainless Steel	Stainless Steel	63.9 X 1000 rpm
S692x	2.5 mm	7 mm	2.5 mm	Open	Stainless Steel	Stainless Steel	56.7 X 1000 rpm
S692x 2rs	2.5 mm	7 mm	3.5 mm	Sealed	Stainless Steel	Stainless Steel	56.7 X 1000 rpm
S692xzz	2.5 mm	7 mm	3.5 mm	Shielded	Stainless Steel	Stainless Steel	56.7 X 1000 rpm
S602x	2.5 mm	8 mm	2.8 mm	Open	Stainless Steel	Stainless Steel	54 X 1000 rpm
S602x 2rs	2.5 mm	8 mm	4 mm	Sealed	Stainless Steel	Stainless Steel	54 X 1000 rpm



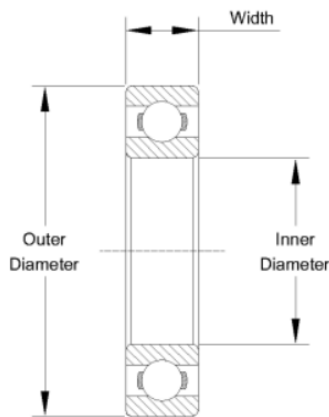
600 Series Stainless Steel Miniature Bearings



Part Number	Bore diameter	Outside diameter	Width	Seal type	Ring material	Ball material	Limiting speed
S602zzz	2.5 mm	8 mm	4 mm	Shielded	Stainless Steel	Stainless Steel	54 X 1000 rpm
S683	3 mm	7 mm	2 mm	Open	Stainless Steel	Stainless Steel	56.7 X 1000 rpm
S683 2rs	3 mm	7 mm	3 mm	Sealed	Stainless Steel	Stainless Steel	56.7 X 1000 rpm
S683zzz	3 mm	7 mm	3 mm	Shielded	Stainless Steel	Stainless Steel	56.7 X 1000 rpm
S693	3 mm	8 mm	3 mm	Open	Stainless Steel	Stainless Steel	54 X 1000 rpm
S693 2rs	3 mm	8 mm	4 mm	Sealed	Stainless Steel	Stainless Steel	54 X 1000 rpm
S693zzz	3 mm	8 mm	4 mm	Shielded	Stainless Steel	Stainless Steel	54 X 1000 rpm
S603	3 mm	9 mm	3 mm	Open	Stainless Steel	Stainless Steel	50.4 X 1000 rpm
S603 2rs	3 mm	9 mm	5 mm	Sealed	Stainless Steel	Stainless Steel	50.4 X 1000 rpm
S603zzz	3 mm	9 mm	5 mm	Shielded	Stainless Steel	Stainless Steel	50.4 X 1000 rpm
S623	3 mm	10 mm	4 mm	Open	Stainless Steel	Stainless Steel	45 X 1000 rpm
S623 2rs	3 mm	10 mm	4 mm	Sealed	Stainless Steel	Stainless Steel	45 X 1000 rpm
S623zzz	3 mm	10 mm	4 mm	Shielded	Stainless Steel	Stainless Steel	45 X 1000 rpm
S633	3 mm	13 mm	5 mm	Open	Stainless Steel	Stainless Steel	36 X 1000 rpm
S633 2rs	3 mm	13 mm	5 mm	Sealed	Stainless Steel	Stainless Steel	36 X 1000 rpm
S633zzz	3 mm	13 mm	5 mm	Shielded	Stainless Steel	Stainless Steel	36 X 1000 rpm
S684	4 mm	9 mm	2.5 mm	Open	Stainless Steel	Stainless Steel	47.7 X 1000 rpm
S684 2rs	4 mm	9 mm	4 mm	Sealed	Stainless Steel	Stainless Steel	47.7 X 1000 rpm
S684zzz	4 mm	9 mm	4 mm	Shielded	Stainless Steel	Stainless Steel	47.7 X 1000 rpm
S694	4 mm	11 mm	4 mm	Open	Stainless Steel	Stainless Steel	43.2 X 1000 rpm
S694 2rs	4 mm	11 mm	4 mm	Sealed	Stainless Steel	Stainless Steel	43.2 X 1000 rpm
S694zzz	4 mm	11 mm	4 mm	Shielded	Stainless Steel	Stainless Steel	43.2 X 1000 rpm
S604	4 mm	12 mm	4 mm	Open	Stainless Steel	Stainless Steel	43.2 X 1000 rpm
S604 2rs	4 mm	12 mm	4 mm	Sealed	Stainless Steel	Stainless Steel	43.2 X 1000 rpm
S604zzz	4 mm	12 mm	4 mm	Shielded	Stainless Steel	Stainless Steel	43.2 X 1000 rpm
S624	4 mm	13 mm	5 mm	Open	Stainless Steel	Stainless Steel	36 X 1000 rpm
S624 2rs	4 mm	13 mm	5 mm	Sealed	Stainless Steel	Stainless Steel	36 X 1000 rpm
S624zzz	4 mm	13 mm	5 mm	Shielded	Stainless Steel	Stainless Steel	36 X 1000 rpm



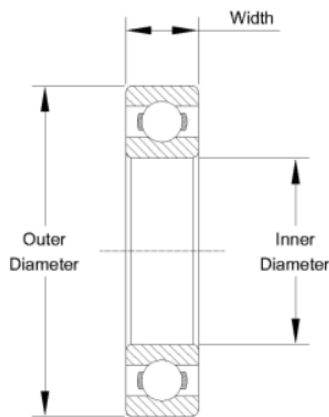
600 Series Stainless Steel Miniature Bearings



Part Number	Bore diameter	Outside diameter	Width	Seal type	Ring material	Ball material	Limiting speed
S634	4 mm	16 mm	5 mm	Open	Stainless Steel	Stainless Steel	32.4 X 1000 rpm
S634 2rs	4 mm	16 mm	5 mm	Sealed	Stainless Steel	Stainless Steel	32.4 X 1000 rpm
S634zz	4 mm	16 mm	5 mm	Shielded	Stainless Steel	Stainless Steel	32.4 X 1000 rpm
S685	5 mm	11 mm	3 mm	Open	Stainless Steel	Stainless Steel	40.5 X 1000 rpm
S685 2rs	5 mm	11 mm	5 mm	Sealed	Stainless Steel	Stainless Steel	40.5 X 1000 rpm
S685zz	5 mm	11 mm	5 mm	Shielded	Stainless Steel	Stainless Steel	40.5 X 1000 rpm
S695	5 mm	13 mm	4 mm	Open	Stainless Steel	Stainless Steel	38.7 X 1000 rpm
S695 2rs	5 mm	13 mm	4 mm	Sealed	Stainless Steel	Stainless Steel	38.7 X 1000 rpm
S695zz	5 mm	13 mm	4 mm	Shielded	Stainless Steel	Stainless Steel	38.7 X 1000 rpm
S605	5 mm	14 mm	5 mm	Open	Stainless Steel	Stainless Steel	36 X 1000 rpm
S605 2rs	5 mm	14 mm	5 mm	Sealed	Stainless Steel	Stainless Steel	36 X 1000 rpm
S605zz	5 mm	14 mm	5 mm	Shielded	Stainless Steel	Stainless Steel	36 X 1000 rpm
S625	5 mm	16 mm	5 mm	Open	Stainless Steel	Stainless Steel	32.4 X 1000 rpm
S625 2rs	5 mm	16 mm	5 mm	Sealed	Stainless Steel	Stainless Steel	32.4 X 1000 rpm
S625zz	5 mm	16 mm	5 mm	Shielded	Stainless Steel	Stainless Steel	32.4 X 1000 rpm
S635	5 mm	19 mm	6 mm	Open	Stainless Steel	Stainless Steel	28.8 X 1000 rpm
S635 2rs	5 mm	19 mm	6 mm	Sealed	Stainless Steel	Stainless Steel	28.8 X 1000 rpm
S635zz	5 mm	19 mm	6 mm	Shielded	Stainless Steel	Stainless Steel	28.8 X 1000 rpm
S686	6 mm	13 mm	3.5 mm	Open	Stainless Steel	Stainless Steel	36 X 1000 rpm
S686 2rs	6 mm	13 mm	5 mm	Sealed	Stainless Steel	Stainless Steel	36 X 1000 rpm
S686zz	6 mm	13 mm	5 mm	Shielded	Stainless Steel	Stainless Steel	36 X 1000 rpm
S696	6 mm	15 mm	5 mm	Open	Stainless Steel	Stainless Steel	36 X 1000 rpm
S696 2rs	6 mm	15 mm	5 mm	Sealed	Stainless Steel	Stainless Steel	36 X 1000 rpm
S696zz	6 mm	15 mm	5 mm	Shielded	Stainless Steel	Stainless Steel	36 X 1000 rpm
S606	6 mm	17 mm	6 mm	Open	Stainless Steel	Stainless Steel	34.2 X 1000 rpm
S606 2rs	6 mm	17 mm	6 mm	Sealed	Stainless Steel	Stainless Steel	34.2 X 1000 rpm
S606zz	6 mm	17 mm	6 mm	Shielded	Stainless Steel	Stainless Steel	34.2 X 1000 rpm
S626	6 mm	19 mm	6 mm	Open	Stainless Steel	Stainless Steel	28.8 X 1000 rpm



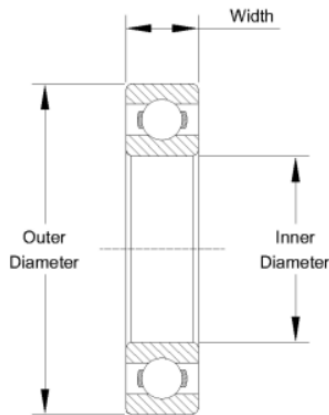
600 Series Stainless Steel Miniature Bearings



Part Number	Bore diameter	Outside diameter	Width	Seal type	Ring material	Ball material	Limiting speed
S626 2rs	6 mm	19 mm	6 mm	Sealed	Stainless Steel	Stainless Steel	28.8 X 1000 rpm
S626zz	6 mm	19 mm	6 mm	Shielded	Stainless Steel	Stainless Steel	28.8 X 1000 rpm
S636	6 mm	22 mm	7 mm	Open	Stainless Steel	Stainless Steel	27 X 1000 rpm
S636 2rs	6 mm	22 mm	7 mm	Sealed	Stainless Steel	Stainless Steel	27 X 1000 rpm
S636zz	6 mm	22 mm	7 mm	Shielded	Stainless Steel	Stainless Steel	27 X 1000 rpm
S687	7 mm	14 mm	3.5 mm	Open	Stainless Steel	Stainless Steel	36 X 1000 rpm
S687 2rs	7 mm	14 mm	5 mm	Sealed	Stainless Steel	Stainless Steel	36 X 1000 rpm
S687zz	7 mm	14 mm	5 mm	Shielded	Stainless Steel	Stainless Steel	36 X 1000 rpm
S697	7 mm	17 mm	5 mm	Open	Stainless Steel	Stainless Steel	32.4 X 1000 rpm
S697 2rs	7 mm	17 mm	5 mm	Sealed	Stainless Steel	Stainless Steel	32.4 X 1000 rpm
S697zz	7 mm	17 mm	5 mm	Shielded	Stainless Steel	Stainless Steel	32.4 X 1000 rpm
S607	7 mm	19 mm	6 mm	Open	Stainless Steel	Stainless Steel	32.4 X 1000 rpm
S607 2rs	7 mm	19 mm	6 mm	Sealed	Stainless Steel	Stainless Steel	32.4 X 1000 rpm
S607zz	7 mm	19 mm	6 mm	Shielded	Stainless Steel	Stainless Steel	32.4 X 1000 rpm
S627	7 mm	22 mm	7 mm	Open	Stainless Steel	Stainless Steel	27 X 1000 rpm
S627 2rs	7 mm	22 mm	7 mm	Sealed	Stainless Steel	Stainless Steel	27 X 1000 rpm
S627zz	7 mm	22 mm	7 mm	Shielded	Stainless Steel	Stainless Steel	27 X 1000 rpm
S637	7 mm	26 mm	9 mm	Open	Stainless Steel	Stainless Steel	25.2 X 1000 rpm
S637 2rs	7 mm	26 mm	9 mm	Sealed	Stainless Steel	Stainless Steel	25.2 X 1000 rpm
S637zz	7 mm	26 mm	9 mm	Shielded	Stainless Steel	Stainless Steel	25.2 X 1000 rpm
S688	8 mm	16 mm	4 mm	Open	Stainless Steel	Stainless Steel	32.4 X 1000 rpm
S688 2rs	8 mm	16 mm	5 mm	Sealed	Stainless Steel	Stainless Steel	32.4 X 1000 rpm
S688zz	8 mm	16 mm	5 mm	Shielded	Stainless Steel	Stainless Steel	32.4 X 1000 rpm
S698	8 mm	19 mm	6 mm	Open	Stainless Steel	Stainless Steel	32.4 X 1000 rpm
S698 2rs	8 mm	19 mm	6 mm	Sealed	Stainless Steel	Stainless Steel	32.4 X 1000 rpm
S698zz	8 mm	19 mm	6 mm	Shielded	Stainless Steel	Stainless Steel	32.4 X 1000 rpm
S608	8 mm	22 mm	7 mm	Open	Stainless Steel	Stainless Steel	30.6 X 1000 rpm
S608 2rs	8 mm	22 mm	7 mm	Sealed	Stainless Steel	Stainless Steel	30.6 X 1000 rpm



600 Series Stainless Steel Miniature Bearings



Part Number	Bore diameter	Outside diameter	Width	Seal type	Ring material	Ball material	Limiting speed
S608zz	8 mm	22 mm	7 mm	Shielded	Stainless Steel	Stainless Steel	30.6 X 1000 rpm
S628	8 mm	24 mm	8 mm	Open	Stainless Steel	Stainless Steel	25.2 X 1000 rpm
S628 2rs	8 mm	24 mm	8 mm	Sealed	Stainless Steel	Stainless Steel	25.2 X 1000 rpm
S628zz	8 mm	24 mm	8 mm	Shielded	Stainless Steel	Stainless Steel	25.2 X 1000 rpm
S638	8 mm	28 mm	9 mm	Open	Stainless Steel	Stainless Steel	25.2 X 1000 rpm
S638 2rs	8 mm	28 mm	9 mm	Sealed	Stainless Steel	Stainless Steel	25.2 X 1000 rpm
S638zz	8 mm	28 mm	9 mm	Shielded	Stainless Steel	Stainless Steel	25.2 X 1000 rpm
S679	9 mm	14 mm	3 mm	Open	Stainless Steel	Stainless Steel	32.4 X 1000 rpm
S679 2rs	9 mm	14 mm	4.5 mm	Sealed	Stainless Steel	Stainless Steel	32.4 X 1000 rpm
S679zz	9 mm	14 mm	4.5 mm	Shielded	Stainless Steel	Stainless Steel	32.4 X 1000 rpm
S689	9 mm	17 mm	4 mm	Open	Stainless Steel	Stainless Steel	32.4 X 1000 rpm
S689 2rs	9 mm	17 mm	5 mm	Sealed	Stainless Steel	Stainless Steel	32.4 X 1000 rpm
S689zz	9 mm	17 mm	5 mm	Shielded	Stainless Steel	Stainless Steel	32.4 X 1000 rpm
S699	9 mm	20 mm	6 mm	Open	Stainless Steel	Stainless Steel	30.6 X 1000 rpm
S699 2rs	9 mm	20 mm	6 mm	Sealed	Stainless Steel	Stainless Steel	30.6 X 1000 rpm
S699zz	9 mm	20 mm	6 mm	Shielded	Stainless Steel	Stainless Steel	30.6 X 1000 rpm
S609	9 mm	24 mm	7 mm	Open	Stainless Steel	Stainless Steel	28.8 X 1000 rpm
S609 2rs	9 mm	24 mm	7 mm	Sealed	Stainless Steel	Stainless Steel	28.8 X 1000 rpm
S609zz	9 mm	24 mm	7 mm	Shielded	Stainless Steel	Stainless Steel	28.8 X 1000 rpm
S629	9 mm	26 mm	8 mm	Open	Stainless Steel	Stainless Steel	25.2 X 1000 rpm
S629 2rs	9 mm	26 mm	8 mm	Sealed	Stainless Steel	Stainless Steel	25.2 X 1000 rpm
S629zz	9 mm	26 mm	8 mm	Shielded	Stainless Steel	Stainless Steel	25.2 X 1000 rpm
S639	9 mm	30 mm	10 mm	Open	Stainless Steel	Stainless Steel	21.6 X 1000 rpm
S639 2rs	9 mm	30 mm	10 mm	Sealed	Stainless Steel	Stainless Steel	21.6 X 1000 rpm
S639zz	9 mm	30 mm	10 mm	Shielded	Stainless Steel	Stainless Steel	21.6 X 1000 rpm